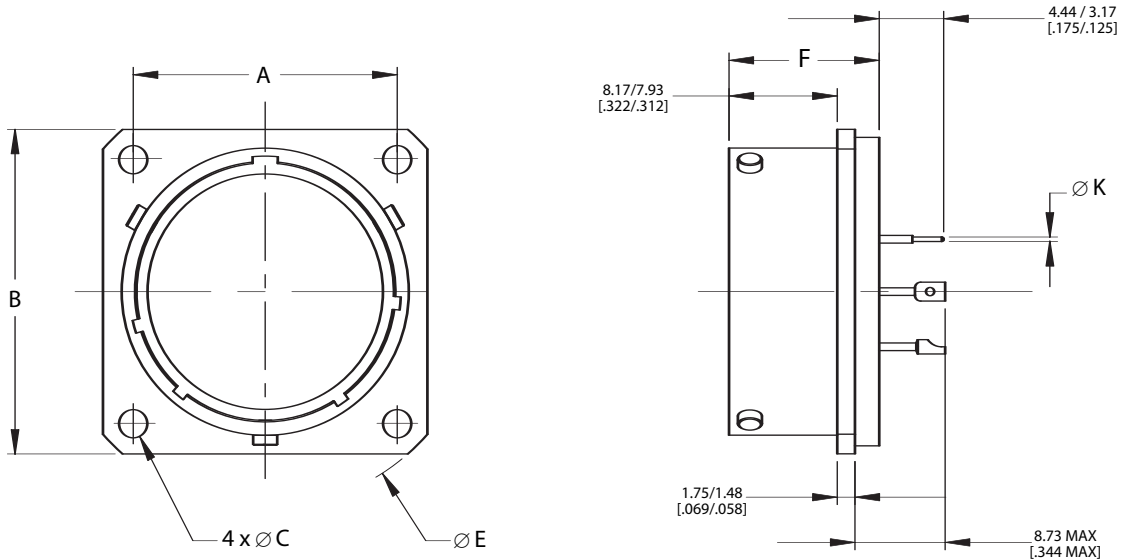


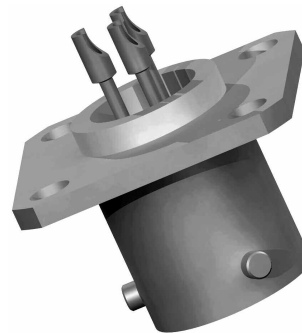
AE276
Box Mount Receptacle
MS27476



MIL-DTL-38999 S II



Contact Size	Ø K	
	mm	inch
22D	0.28	.011
	0.38	.015
20	0.60	.024
	0.70	.028
16	1.56	.061
	1.61	.063
12	2.36	.093
	2.41	.095



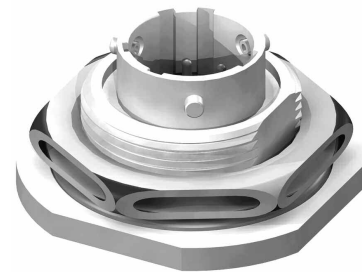
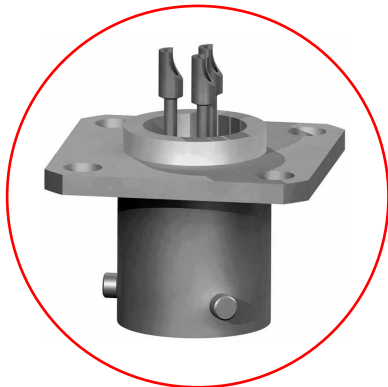
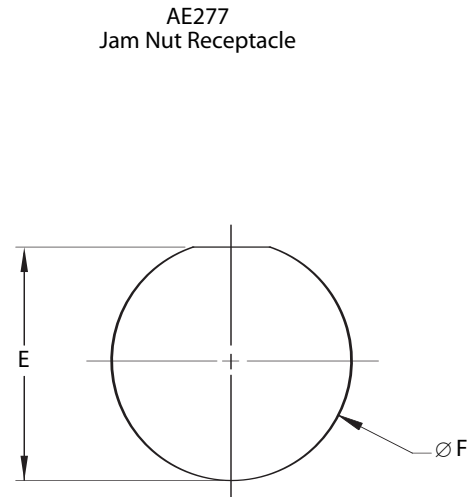
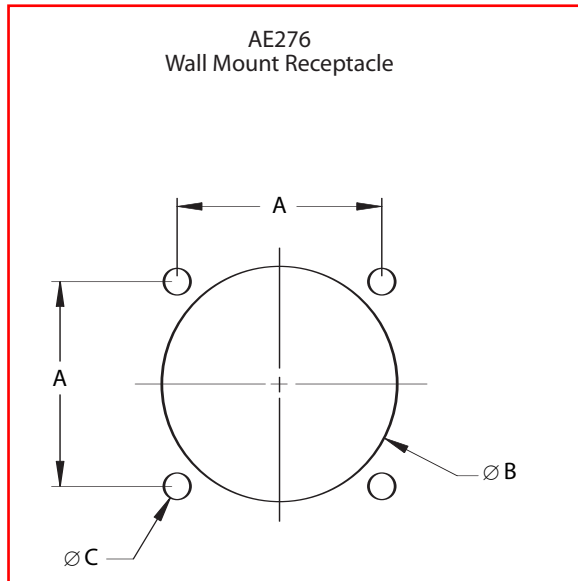
Shell Size	A		B		Ø C		Ø E		F	
	Maximum		Maximum		+0.25	+0.010	Maximum		Maximum	
	mm	inch	mm	inch	-0.13	-0.005	mm	inch	mm	inch
8	15.09	.594	21.03	.828	3.05	.120	27.38	1.078	11.51	.453
10	18.26	.719	24.23	.954	3.05	.120	32.16	1.266	11.51	.453
12	20.62	.812	26.59	1.047	3.05	.120	35.33	1.391	11.51	.453
14	23.01	.906	28.98	1.141	3.05	.120	38.51	1.516	11.51	.453
16	24.61	.969	31.34	1.234	3.05	.120	41.68	1.641	11.51	.453
18	26.97	1.062	33.73	1.328	3.05	.120	44.86	1.766	11.51	.453
20	29.36	1.156	36.91	1.453	3.05	.120	48.03	1.891	11.51	.453
22	31.75	1.250	40.08	1.578	3.05	.120	51.21	2.016	11.51	.453
24	34.93	1.375	43.26	1.703	3.73	.147	55.98	2.204	12.29	.484

AE2 Series
Hermetic Connectors
 per MIL-DTL-38999 Series II



Panel Cutouts

MIL-DTL-38999 S II



Shell Size	A		$\varnothing B$		$\varnothing C$		E		$\varnothing F$	
	(TP)		Minimum		± 0.13	± 0.005	0.00	.000	+0.25	+0.10
	mm	inch	mm	inch	mm	inch	mm	inch	mm	inch
8	15.09	.594	14.15	.557	3.25	.128	21.08	.830	22.48	.885
10	18.26	.719	17.32	.682	3.25	.128	24.26	.955	25.65	1.010
12	20.62	.812	21.69	.854	3.25	.128	27.56	1.085	28.83	1.135
14	23.01	.906	24.87	.979	3.25	.128	30.73	1.210	32.01	1.260
16	24.61	.969	28.04	1.104	3.25	.128	33.91	1.335	35.18	1.385
18	26.97	1.062	31.22	1.229	3.25	.128	37.08	1.460	38.35	1.510
20	29.36	1.156	34.39	1.354	3.25	.128	40.26	1.585	41.53	1.635
22	31.75	1.250	37.57	1.479	3.25	.128	43.42	1.709	44.70	1.760
24	34.93	1.375	40.74	1.604	3.91	.154	46.61	1.835	47.88	1.885